



US00D594893S

(12) **United States Design Patent**  
**Fong**

(10) **Patent No.:** **US D594,893 S**

(45) **Date of Patent:** **\*\* \*Jun. 23, 2009**

(54) **PHOTOGRAPHIC DIFFUSER**

(76) Inventor: **Gary Fong**, 1301 1st Ave., Suite 2101,  
Seattle, WA (US) 98101

(\* ) Notice: This patent is subject to a terminal disclaimer.

(\*\*) Term: **14 Years**

(21) Appl. No.: **29/320,436**

(22) Filed: **Jun. 26, 2008**

- D251,630 S 4/1979 Larson
- 4,175,279 A 11/1979 Asaki
- 4,190,880 A 2/1980 Esaki
- 4,251,854 A 2/1981 Kaneko et al.
- 4,276,579 A 6/1981 Yako
- 4,333,127 A 6/1982 Alkema et al.
- 4,446,506 A 5/1984 Larson
- 4,479,173 A 10/1984 Rumpakis
- 4,539,624 A 9/1985 Stone
- 4,562,521 A 12/1985 Noguchi
- 4,594,645 A 6/1986 Terashita
- 4,610,525 A 9/1986 Yoshida et al.
- 4,633,374 A 12/1986 Waltz et al.
- 4,669,031 A 5/1987 Register

(Continued)

**Related U.S. Application Data**

(63) Continuation of application No. 29/280,374, filed on  
May 24, 2007, now abandoned.

(51) **LOC (9) Cl.** ..... **16-05**

(52) **U.S. Cl.** ..... **D16/239; D16/237**

(58) **Field of Classification Search** ..... **D16/237,**  
**D16/239, 240; D26/118, 119, 124, 125;**  
**362/3, 16-18, 320; 396/176**

See application file for complete search history.

**FOREIGN PATENT DOCUMENTS**

JP 10260457 A 9/1998

**OTHER PUBLICATIONS**

Internet: <http://www.lumiquest.com/>; LumiQuest The World Leader  
in Flash Accessories for Digital & Film; © 2005 LumiQuest; 1 sheet.

(Continued)

*Primary Examiner*—Adir Aronovich  
(74) *Attorney, Agent, or Firm*—Christie, Parker & Hale, LLP.

(56) **References Cited**

**U.S. PATENT DOCUMENTS**

- 756,194 A 3/1904 Zalinski
- 1,769,993 A 7/1930 Gillinder
- 1,874,086 A 8/1932 Dickson
- 1,935,045 A \* 11/1933 Doane ..... 362/18
- 2,235,864 A 3/1941 Brennan et al.
- 2,747,076 A 5/1956 Eloranta
- 2,879,377 A 3/1959 Layng
- 3,191,022 A 6/1965 Wince
- 3,855,602 A 12/1974 Hoos
- 3,939,340 A \* 2/1976 Gozzano et al. .... 362/320
- 4,052,607 A 10/1977 Larson
- 4,066,885 A 1/1978 Weinberg
- 4,075,472 A 2/1978 Higuchi
- 4,084,168 A 4/1978 Pizzuti et al.
- 4,091,402 A 5/1978 Siegel
- 4,091,444 A 5/1978 Mori
- 4,109,301 A 8/1978 Wakimura
- 4,146,918 A 3/1979 Tureck

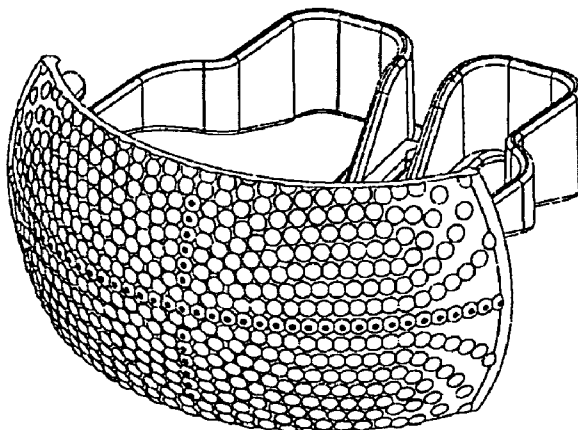
(57) **CLAIM**

The ornamental design for a photographic diffuser, as shown  
and described.

**DESCRIPTION**

FIG. 1 is a front perspective view of the photographic dif-  
fuser;  
FIG. 2 is a front elevational view of the photographic diffuser;  
FIG. 3 is a left side elevational view of the photographic  
diffuser with the right side being a mirror image;  
FIG. 4 is a rear elevational view of the photographic diffuser;  
FIG. 5 is a top plan view of the photographic diffuser; and,  
FIG. 6 is a bottom plan view of the photographic diffuser.

**1 Claim, 4 Drawing Sheets**



# US D594,893 S

Page 2

## U.S. PATENT DOCUMENTS

4,710,012 A 12/1987 Yamada  
4,757,425 A 7/1988 Waltz  
4,807,089 A 2/1989 Nussli  
5,095,325 A 3/1992 Carstens  
5,154,503 A 10/1992 Sternsher  
D342,273 S \* 12/1993 Couch ..... D16/237  
5,311,409 A 5/1994 King  
5,556,186 A 9/1996 Pilby  
5,560,707 A 10/1996 Neer  
5,839,006 A 11/1998 Beckerman  
6,010,234 A 1/2000 Rahn  
6,361,192 B1 3/2002 Fussell et al.  
6,502,962 B1 1/2003 Menke et al.  
6,709,121 B1 3/2004 Lowe et al.

6,981,785 B1 1/2006 Watchulonis  
D552,272 S 10/2007 Amphlett  
7,399,097 B1 \* 7/2008 DeLaPaz ..... 362/18

## OTHER PUBLICATIONS

Internet: <http://www.stofen.com/>; STO-FEN Products; 1 sheet.  
Product Pamphlet: Strobiframe Flash Brackets and accessories; ©  
1992; 16 sheets.  
Product Pamphlet: LumiQuest Photographic Accessories; 3 sheets.  
Magazine Article: Sint, S., "Sint's View", Popular Photography, Feb.  
1996, 3 sheets.  
Internet: <http://dembflashdiffusers.com/>; Demb Flash Diffuser Pro;  
© 2006; 2 sheets.

\* cited by examiner

Fig. 1

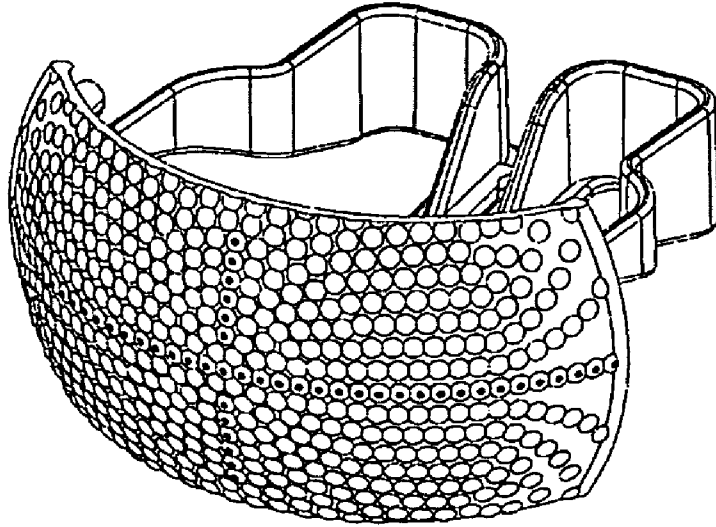


Fig. 2

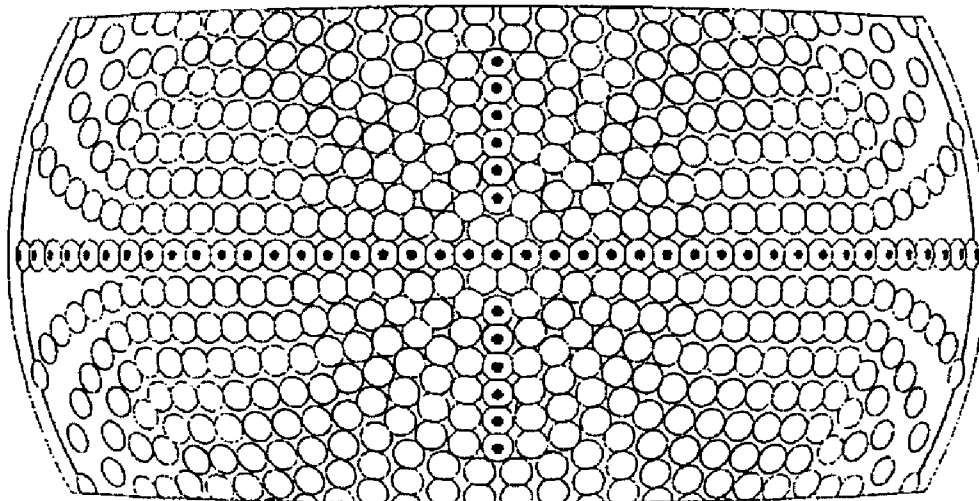


Fig. 3

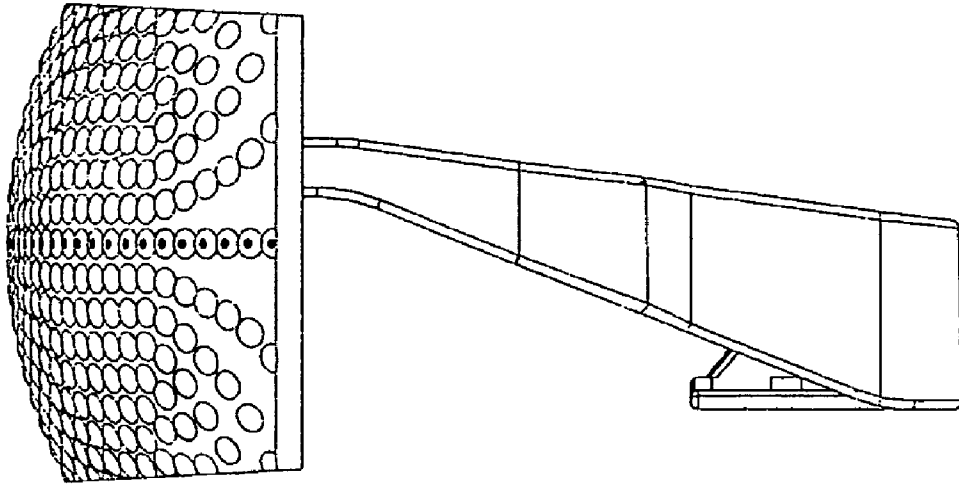


Fig. 4

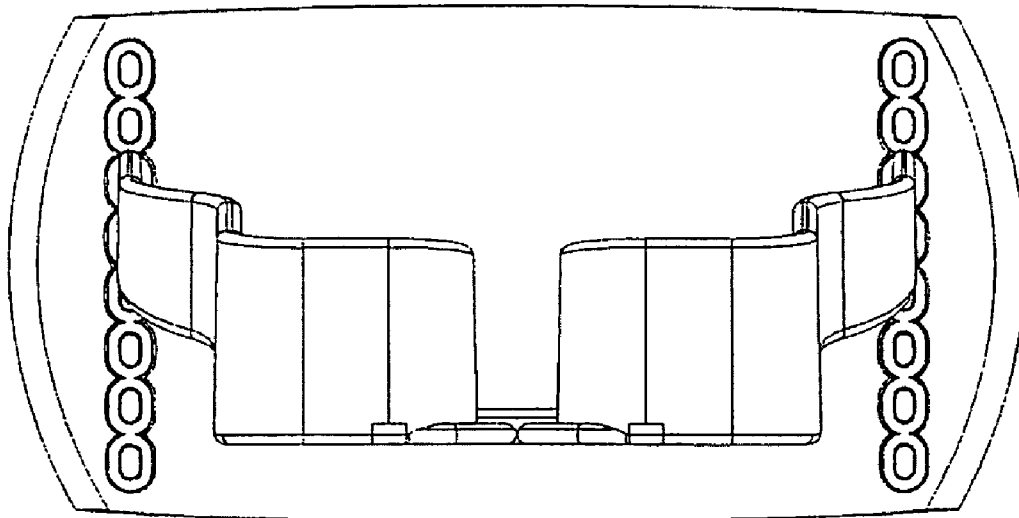
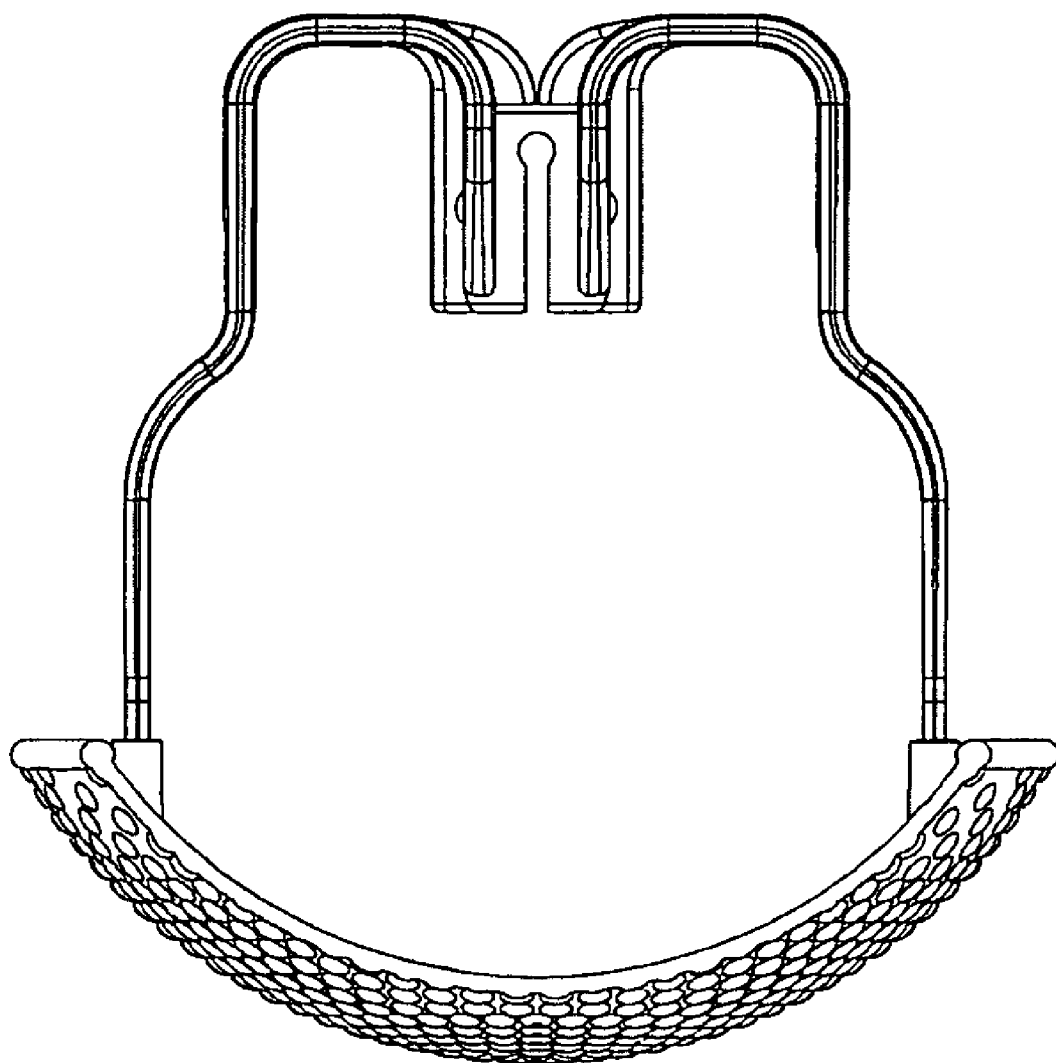


Fig. 5



# Fig. 6

